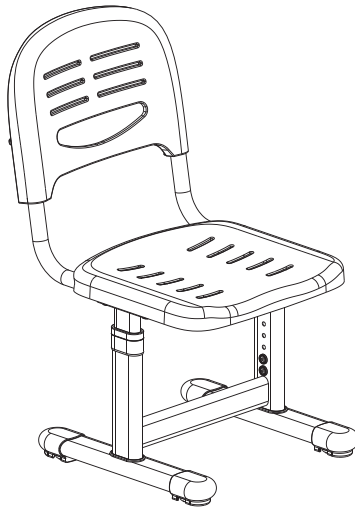




Gray Kids' Height Adjustable Ergonomic Chair

Instruction Manual



SKU: DESK-V201G-CH



Scan the QR code with your mobile device or follow the link for helpful videos and specifications related to this product.

<https://vivo-us.com/products/desk-v201g-ch>

GET IN TOUCH | Monday-Friday from 7:00am-7:00pm CST



help@vivo-us.com



www.vivo-us.com
Chat live with an agent!



309-278-5303

WARNING!

If you do not understand these directions, or if you have any doubts about the safety of the installation, please call a qualified technician. Check carefully to make sure there are no missing or defective parts. Improper installation may cause damage or serious injury. Do not use this product for any purpose that is not explicitly specified in this manual and do not exceed weight capacity. We cannot be liable for damage or injury caused by improper mounting, incorrect assembly or inappropriate use.

TIPOVER WARNING

SERIOUS OR FATAL CRUSHING INJURIES CAN OCCUR FROM TIPOVER. TO HELP PREVENT TIPOVER:

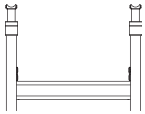
- NEVER ALLOW CHILDREN TO CLIMB, STAND, HANG, OR PLAY ON ANY PART OF DESK OR CHAIR

USE OF TIPOVER RESTRAINTS MAY ONLY REDUCE, BUT NOT ELIMINATE RISK OF TIPOVER.

WARNING: CHOKING HAZARD

SMALL PARTS - NOT FOR CHILDREN UNDER 3 YEARS. ADULT SUPERVISION IS REQUIRED.

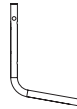
PACKAGE CONTENTS



B1 (x1)
Chair Leg



B2 (x2)
Chair Feet



B3 (x1)
Support Bar



B4 (x1)
Side Support Bar



B5 (x1)
Center Support Bar



B6 (x1)
Seat Bottom



B7 (x1)
Seat Back



A1 (x4)
Metal Washer



A2 (x8)
Medium Screw



A3 (x4)
Plastic Washer



A4 (x4)
Long Plastic Thread Screw



A5 (x2)
Knob



A6 (x1)
Allen Wrench

⚠ WARNING!

PINCH POINT

DO NOT place hands on or near support bars. Moving parts can crush and cut. Pinch points are created during lifting and lowering the worksurface. Failure to follow these instructions may result in serious personal injury.



TOOLS NEEDED



DO NOT EXCEED WEIGHT CAPACITY.

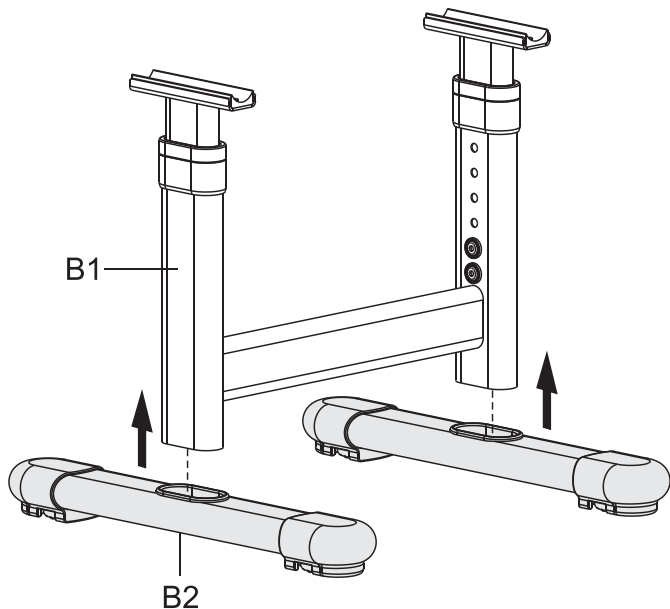
Failure to do so may result in serious injury.



ASSEMBLY STEPS

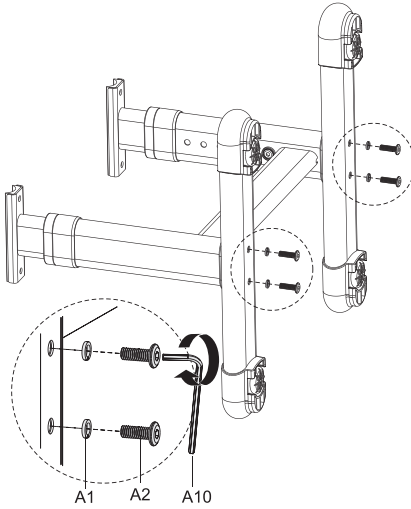
STEP 1

Place chair legs (**B1**) into chair feet (**B2**), making sure legs are fully seated in openings.



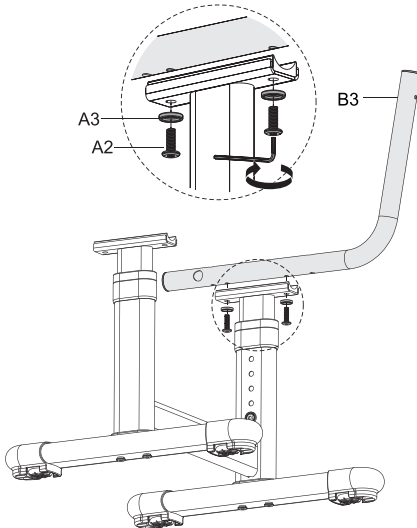
STEP 2

Secure feet using x4 medium screws (**A2**) and x4 metal lock washers (**A1**). Tighten with the Allen wrench (**A6**).



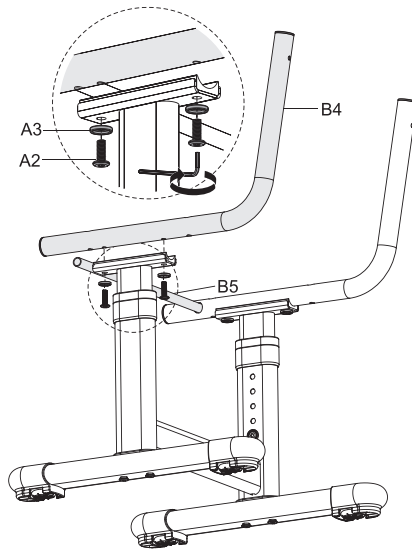
STEP 3

Assemble right side support bar (**B3**) to leg using x2 medium screws (**A2**) and x2 plastic washers (**A3**). The support bar has a large hole on the left side which will face inward. Tighten with the Allen wrench (**A6**).



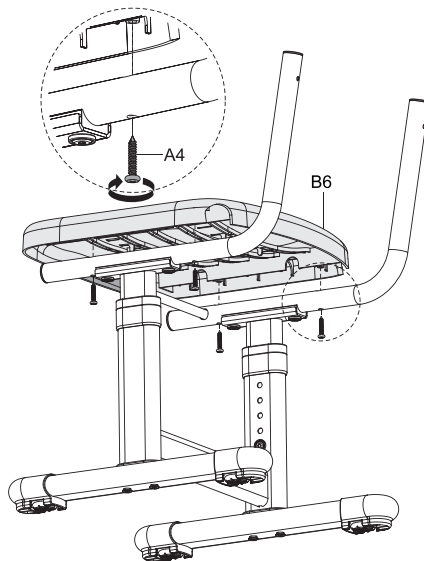
STEP 4

Slide center support bar (**B5**) into the large hole in right side bar. Slide left side support bar (**B4**) onto center bar, and secure to legs with x2 medium screws (**A2**) and x2 plastic washers (**A3**). Tighten with the Allen wrench (**A6**).



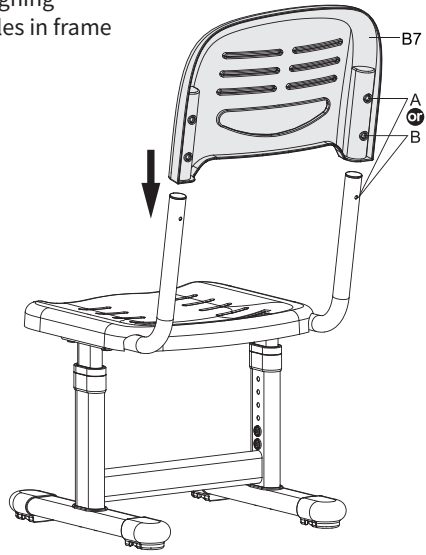
STEP 5

Mount plastic seat bottom (**B6**) to assembled chair frame using x4 long plastic thread screws (**A4**). Tighten with a Phillips screwdriver.



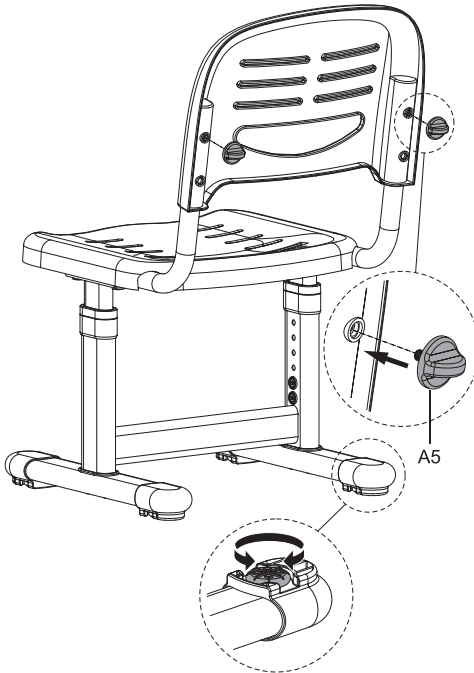
STEP 6

Slide plastic seat back (**B7**) onto chair frame, aligning upper or lower holes in seat back with screw holes in frame depending on the needed height.



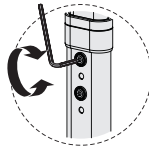
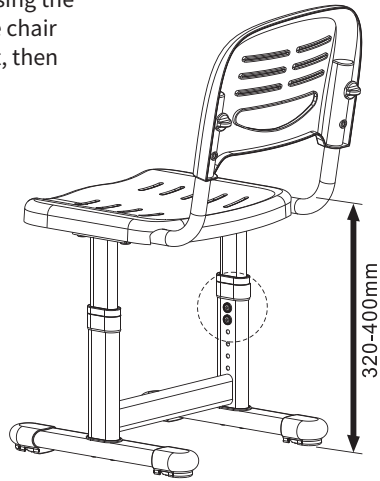
STEP 7

Secure seat back using knobs (**A5**). Adjust chair feet to sit level if needed.

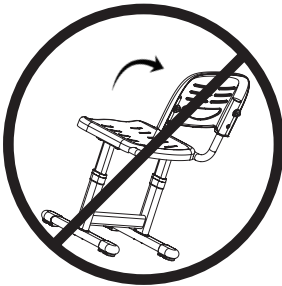


STEP 8

Height Adjustment: Remove both screws with washers from side of each leg using the Allen wrench (A6). Raise or lower the chair evenly until it reaches desired height, then reinsert screws with washers.



CAUTION!



Do not lean backwards on the chair.



Raise sides evenly, ensuring that the legs are locked before sitting.

Failure to follow these instructions may result in property damage and/or personal injury.



Open **Monday - Friday 7:00am - 7:00pm** CST,
our dedicated support team can offer immediate assistance with rapid response times. If any parts are received damaged or defective, please contact us. We are happy to replace parts to ensure you have a fully functioning product.


 help@vivo-us.com

AVG. RESPONSE TIME (*within office hrs*): **1HR 8M**

- 23% within < 15m
- 38% within < 30m
- 61% within < 1hr
- 83% within < 2hr
- 92% within < 3hr

 www.vivo-us.com
Chat live with an agent!

AVG. RESOLUTION TIME (*within office hrs*): **< 15 M**

 309-278-5303

AVG. RESOLUTION TIME (*within office hrs*): **5M 4S**